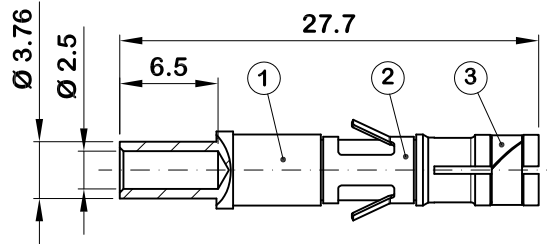
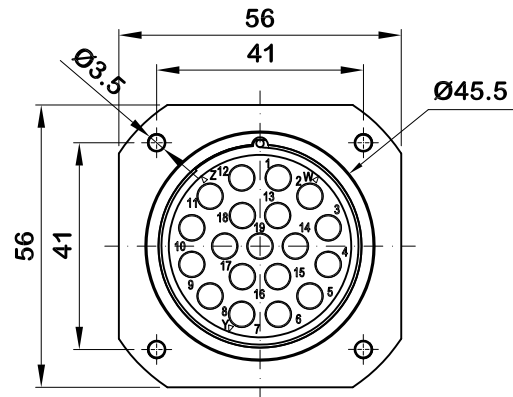
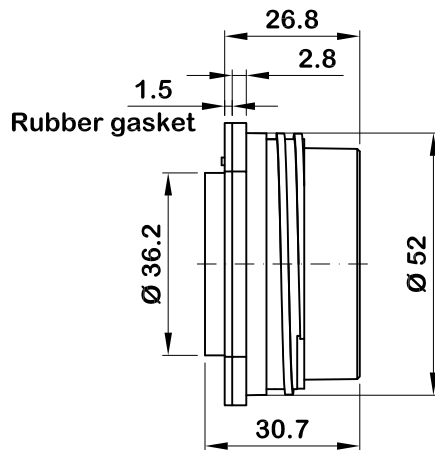


- 1. Contact
- 2. Harpoon
- 3. Spring



Contact scale 2:1



General dimensions (mm)

Connector scale 2:3

TECHNICAL DATA

Mechanical

Shell material — Aluminium alloy
 Shell plating — Black (non conductive)
 Insulator material — PPS
 Contact material — Copper alloy
 Contact plating — Gold over nickel
 Operating temperature range — -40 °C to +85 °C
 IP67 rated when connectors mated
 Resistant to saline atmosphere 600 h ASTM B-117

Electrical

Ø Male contact — 19 of Ø 3 mm
 Working current — 25 A
 Wire section — 2.5 mm²
 Max contact resistance — 0.005 Ω
 Working voltage at sea level — 400 Vac
 Test voltage at sea level — 1750 Vac
 Crimp contacts

CONNECTOR (W / O CONTACTS) PART NUMBER

9 2 0 2 4 1 9 C D 0 S 0 2

Series: Standard connector

Type: Receptacle

Insulator: 419CD

Polarisation: Standard

Gender: Female

No cable clamp

Finish: Black (non conductive)

CONTACTS PART NUMBER

S X C 8 1
