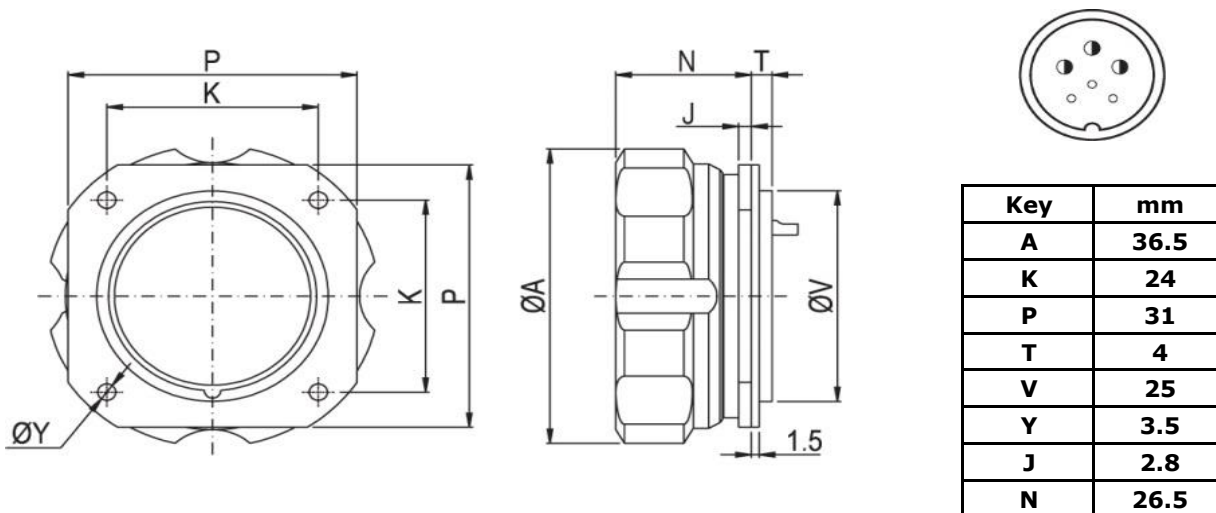


12 x 10A Solder Contacts, 270V Constant, 1,050V Peak. IP67 (Waterproof) When mated

Technical Data

Connector Type:	Circular Series 92	Current Rating:	12 x 10A
Plan-form:	212AF, 12 Pin	Voltage Rating:	270V
Gender:	Male Plug	Peak Voltage:	1,050
Termination Method:	Solder	Max Wire Area Size:	12 x 1.75
Contact Material:	Copper Alloy	Contact Resistance:	5mΩ
Contact Plating:	Gold over Nickel	IP Rating:	IP67
Shell Material:	Aluminium Alloy	Min Operating Temperature:	-40°C
Shell Plating:	Black anodised (non conductive)	Max Operating Temperature:	+85°C
Insulator Material:	Thermoestable	Termination Method:	Screw Lock

Mating Parts

Female inline connector	9201212AF0SA20
	9201212AF0SB20

Accessories

IP67 Waterproof cap	92T0620P20
---------------------	------------