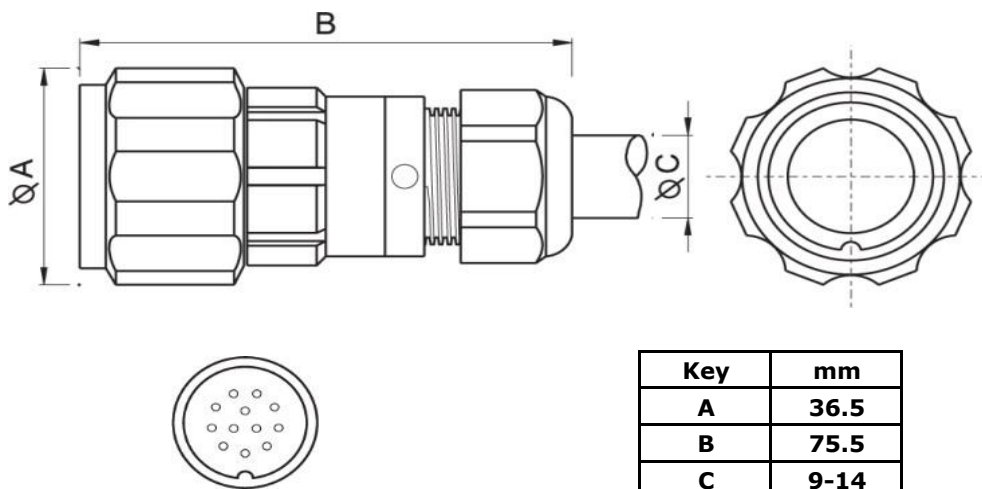


**12 x 10A Solder Contacts, 270V Constant, 1,050V Peak. IP67 (Waterproof) When mated**

**Technical Data**

<b>Connector Type:</b>	Circular Series 92	<b>Current Rating:</b>	12 x 10A
<b>Plan-form:</b>	212AF, 12 Pin	<b>Voltage Rating:</b>	270V
<b>Gender:</b>	Male Plug	<b>Peak Voltage:</b>	1,050
<b>Termination Method:</b>	Solder	<b>Max Wire Area Size:</b>	12 x 1.75
<b>Contact Material:</b>	Copper Alloy	<b>Contact Resistance:</b>	5mΩ
<b>Contact Plating:</b>	Gold over Nickel	<b>IP Rating:</b>	IP67
<b>Shell Material:</b>	Aluminium Alloy	<b>Min Cable Diameter:</b>	9mm
<b>Shell Plating:</b>	Black anodised (non conductive)	<b>Max Cable Diameter:</b>	14mm
<b>Insulator Material:</b>	Thermoestable	<b>Min Operating Temperature:</b>	-40°C
<b>Termination Method:</b>	Screwlock	<b>Max Operating Temperature:</b>	+85°C

**Mating Parts**

Female panel mount connector	9202212AF0S020
Female inline connector	9201212AF0SB20

**Accessories**

IP67 Waterproof cap	92T0620P20
Assembly tool	SC202530