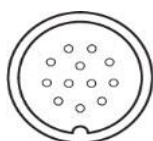
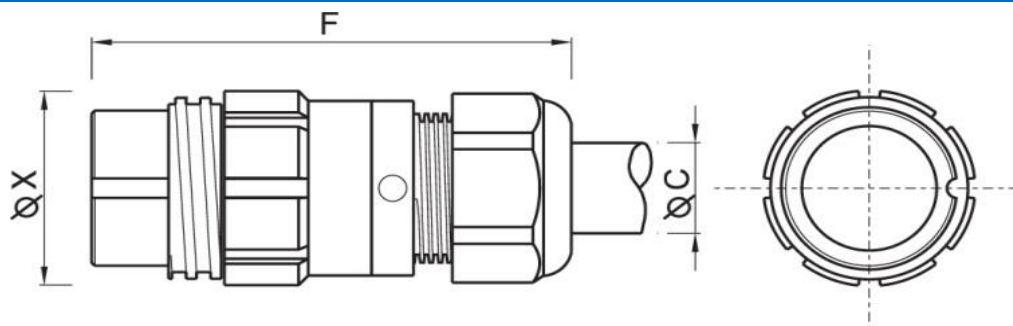


12 x 10A Solder Contacts, 270V Constant, 1,050V Peak. IP67 (Waterproof) When mated


Key	mm
A	29.8
B	70.5
C	9-14

Technical Data

Connector Type:	Circular Series 92	Current Rating:	12 x 10A
Plan-form:	212AF, 12 Pin	Voltage Rating:	270V
Gender:	Female Socket	Peak Voltage:	1,050
Termination Method:	Solder	Max Wire Area Size:	12 x 1.75
Contact Material:	Copper Alloy	Contact Resistance:	5mΩ
Contact Plating:	Gold over Nickel	IP Rating:	IP67
Shell Material:	Aluminium Alloy	Min Cable Diameter:	9mm
Shell Plating:	Black anodised (non conductive)	Max Cable Diameter:	14mm
Insulator Material:	Thermoestable	Min Operating Temperature:	-40°C
Termination Method:	Screw Lock	Max Operating Temperature:	+85°C

Mating Parts

Male inline connector with coupling nut	9209212AF0P020
Male inline connector with coupling nut	9206212AF0PA20

Accessories

IP67 Waterproof cap	92T0220S20
Assembly tool	SC201530